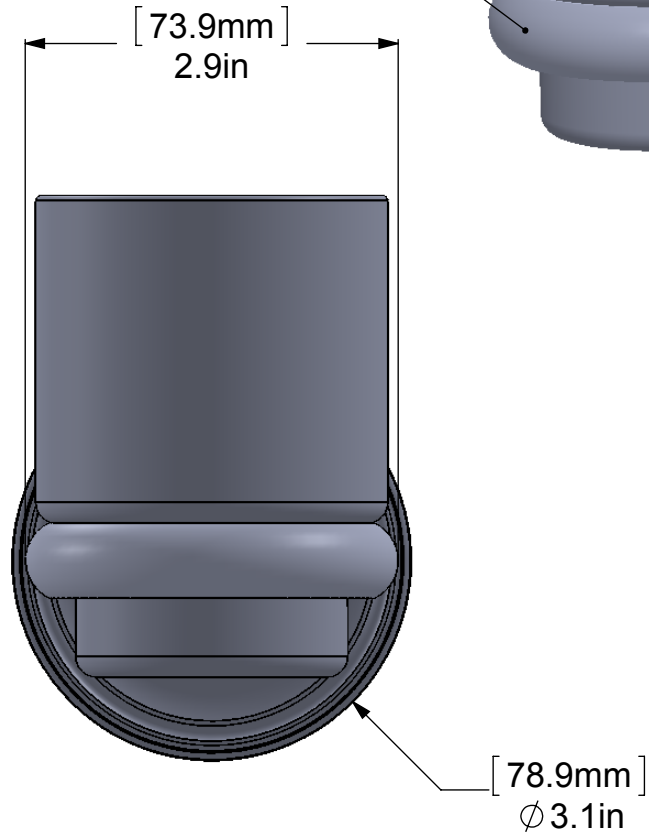
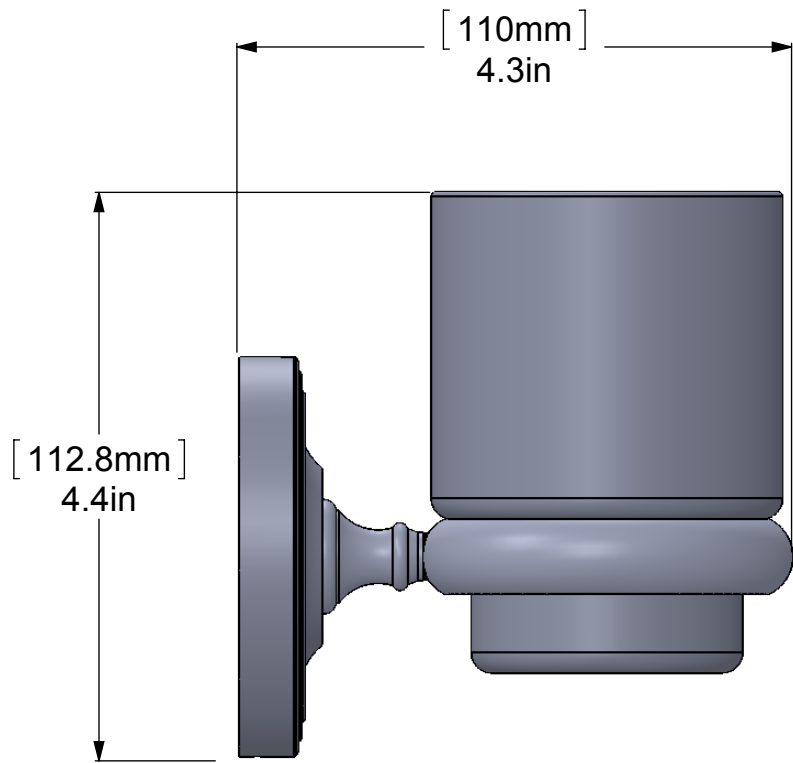
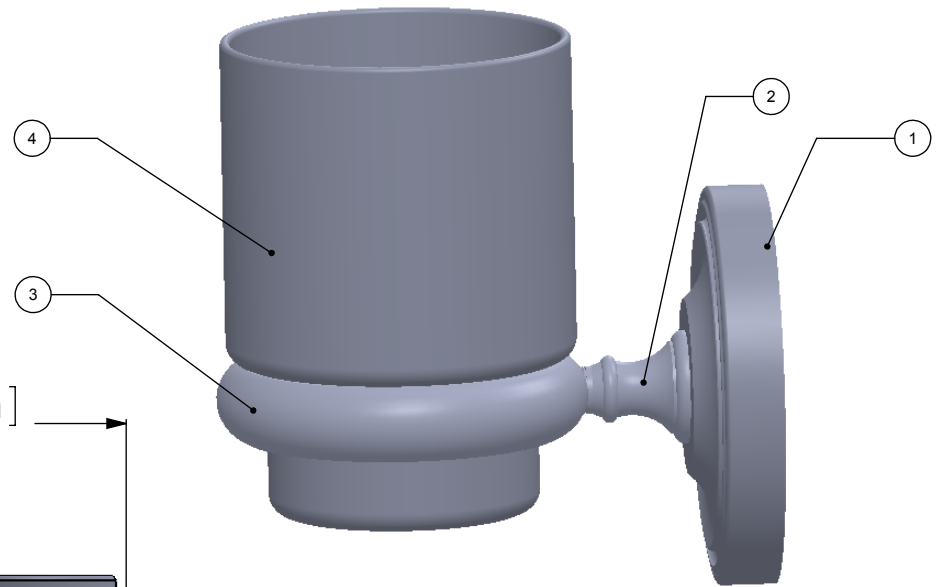
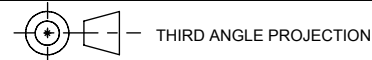



| ITEM NO. | P/N | Description | QTY. |
|----------|------|-------------|------|
| 1 | BPPR | BACKPLATE | 1 |
| 2 | HRSD | Neck | 1 |
| 3 | HRRD | RING | 1 |
| 4 | GLCU | GLASS_HLD | 1 |



| UNLESS OTHERWISE STATED | |
|-------------------------|---------|
| .X | ±.3mm |
| .XX | ±.15mm |
| .XXX | ±.008mm |

COPYRIGHT © Allied Brass 2016



| | | | | | | | |
|----------|----------|-----|--|---|-------------|--------|-----|
| DRAWN | 4/1/2016 | I.M | MATERIAL: | BRASS | | FINISH | TBD |
| CHECKED | 4/1/2016 | P.D | DESCRIPTION: |  | QUANTITY | TBD | |
| APPROVED | 4/1/2016 | R.A | Wall Mounted Tumbler Holder | | DRAWING No. | REV | |
| | | | | | PR-66 | 0 | |
| | | | SCALE | 1:1.5 | SHEET: 01 | A4 | |